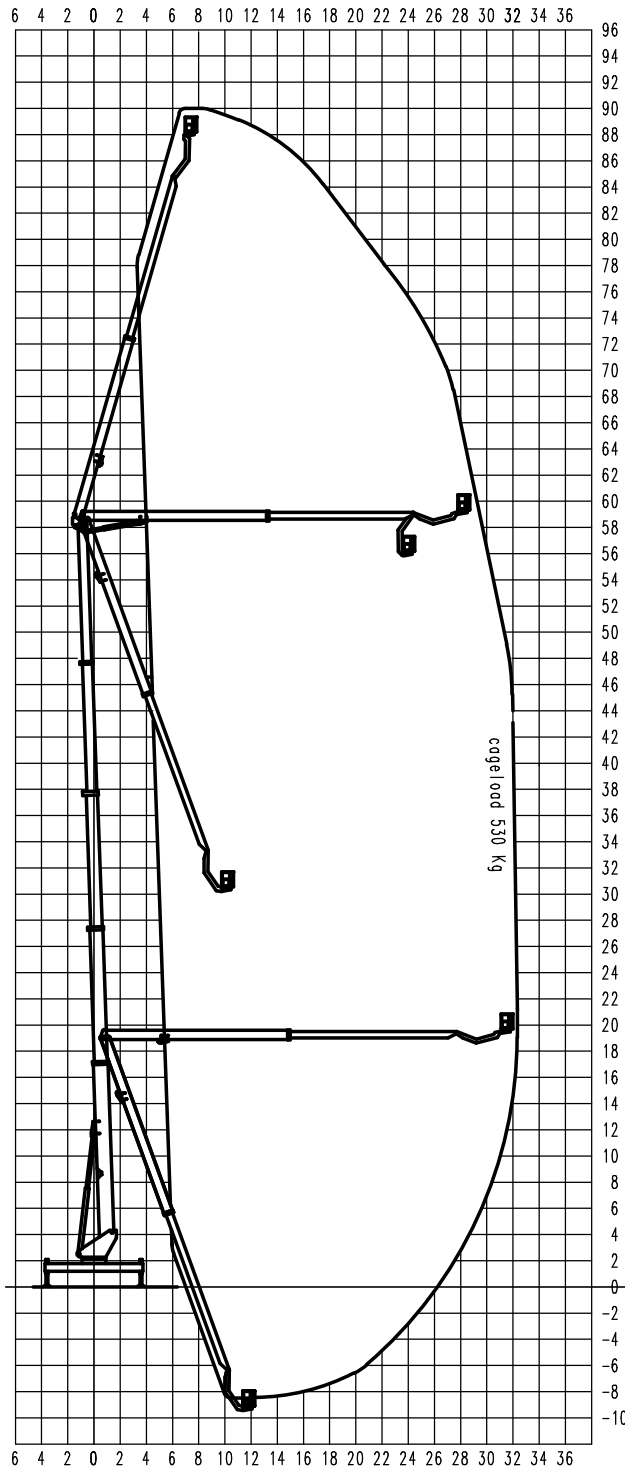


outreach diagram P900



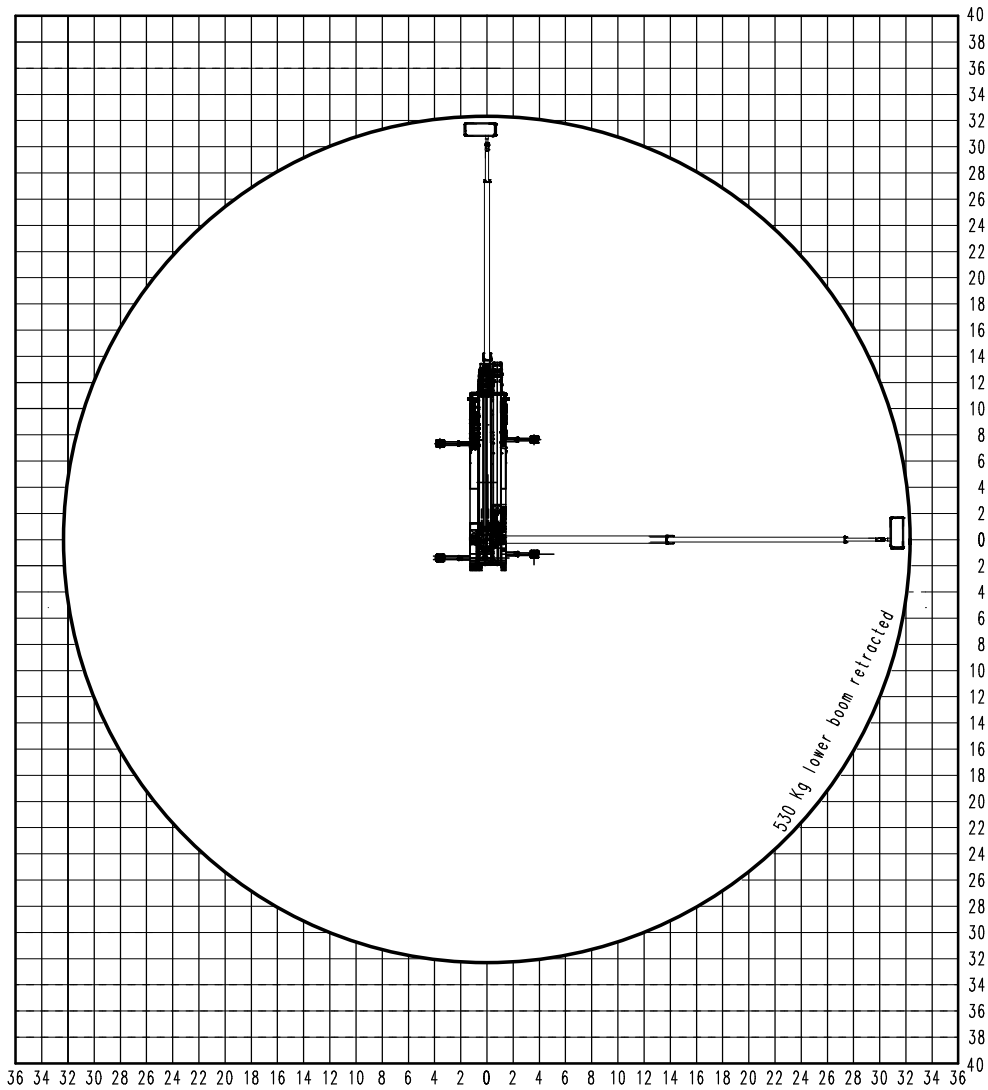
G.V.W.: 48t

03.07.2013/ Do.

The outreach is depending from the vehicle, type of stabilizing and the additional equipment of the mobile elevating work platform.

We reserve our right to technical alterations without prior notice.

outreach diagram P900



G.V.W.: 48t

03.07.2013/ Do.

The outreach is depending from the vehicle, type of stabilizing and the additional equipment of the mobile elevating work platform.

We reserve our right to technical alterations without prior notice.