

BIMIS

Mobil Tårnkran

AT6 136 tm.



**SPIERINGS
CRANES**

Make: SPIERINGS Type: SK1265-AT6

Crane specification (Jib length 60 m)

Serial number **1265xxx**

Year of construction **20xx**

Crane group : A3 as per FEM 1.001
 Loadspectrum : Q1 as per FEM 1.001
 Classification : U4 as per FEM 1.001
 Stability : as per FEM 1.001

Max. load
10,0 tonne

Max.radius
with max. load
13,2 m

Max. capacity
132 tm

Max. jib length
60 m

Speeds Jib horizontal / jib 30° luffed

	m/min	kg		0 - 70 m/min
	15	10000		
	30	5000		0-0,7 r/min
	45	2500		
75	0			

All motions with hydraulic proportional controls.
 Luffing the jib 30° can be controlled from crane cab or by remote control.
 Crane can be driven in its erected position under special conditions (refer user guide).

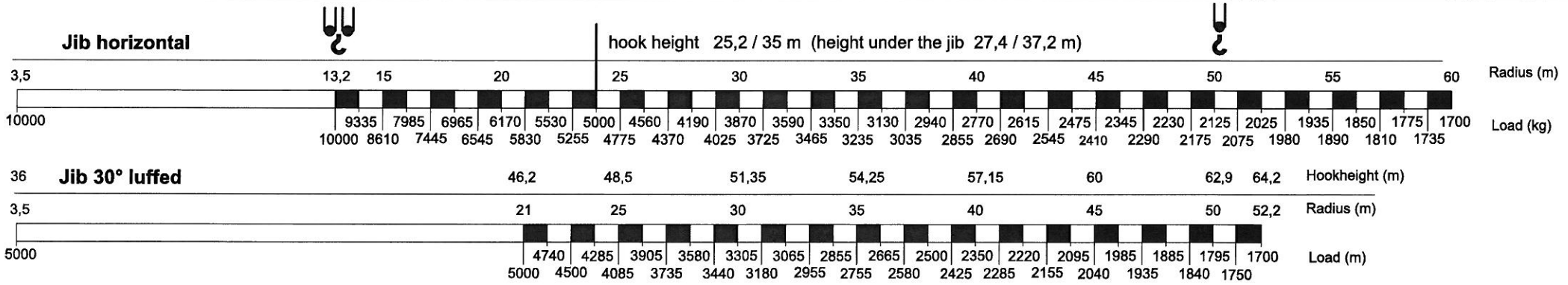
Continuous slewing of the crane (360°) with the outriggers out and support pads down.
 The crane should be folded in at wind force 9 (Bf) (21 m/sec) or when not in use for a longer period.
 Operating temperature range from -15°C till +40°C

Counterweight Crane : 13600 kg.
 Rated lifting capacity is net capacity.
 Max. line pull force : 2500 kg.
 2 parts of line : 5000 kg - 1700 kg
 4 parts of line : 10000 kg - 5000 kg
 Sail area of the load max.: 1,0 m²/ton.

Outriggers positioned according to lifting chart
 Outrigger support base : 7,95 x 7,66 m.
 Operation allowed up to wind force 7 (14 m/s).
 Outrigger support base : 7,95 x 5,72 m.
 Operation allowed up to wind force 7 (14 m/s).
 Max. outrigger force: 520 kN.

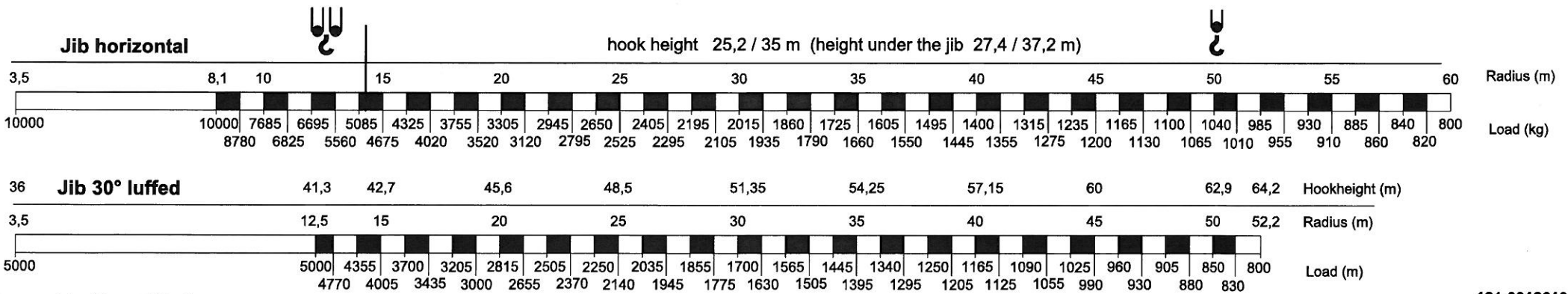
Lifting chart

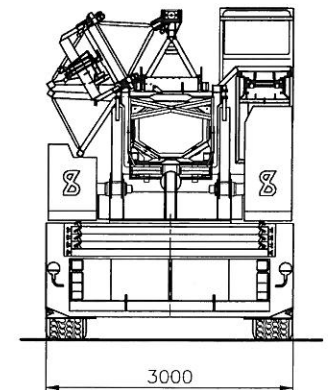
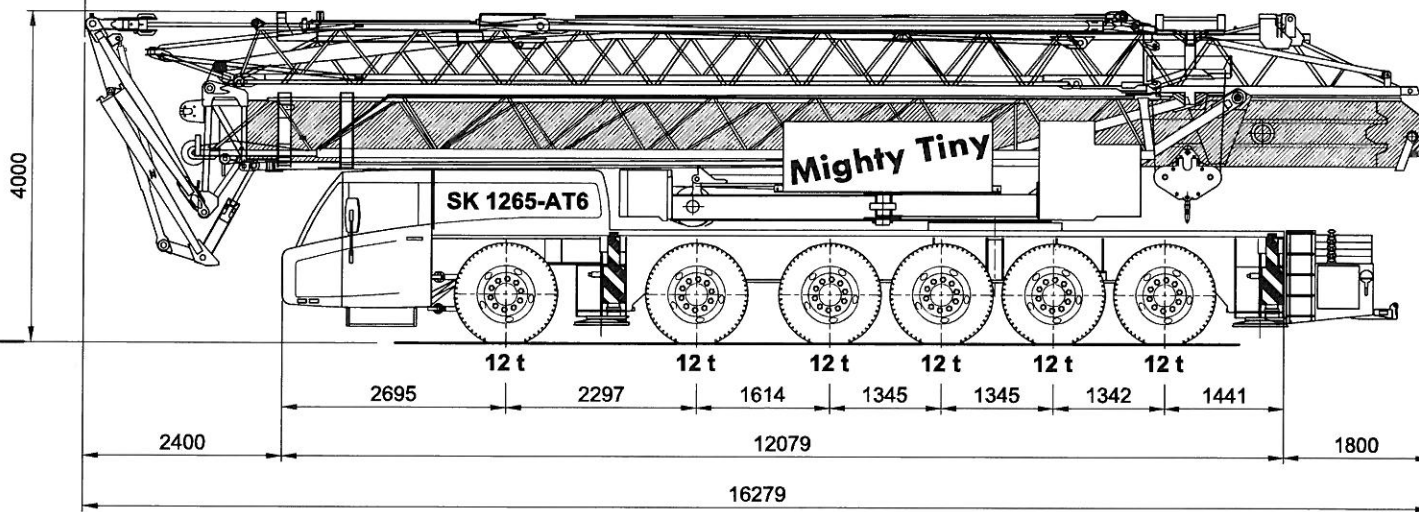
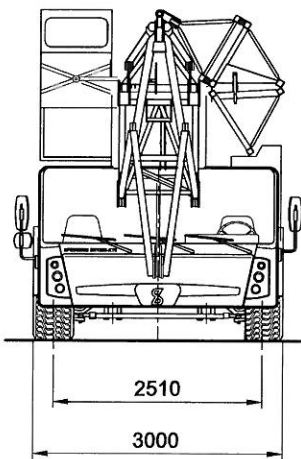
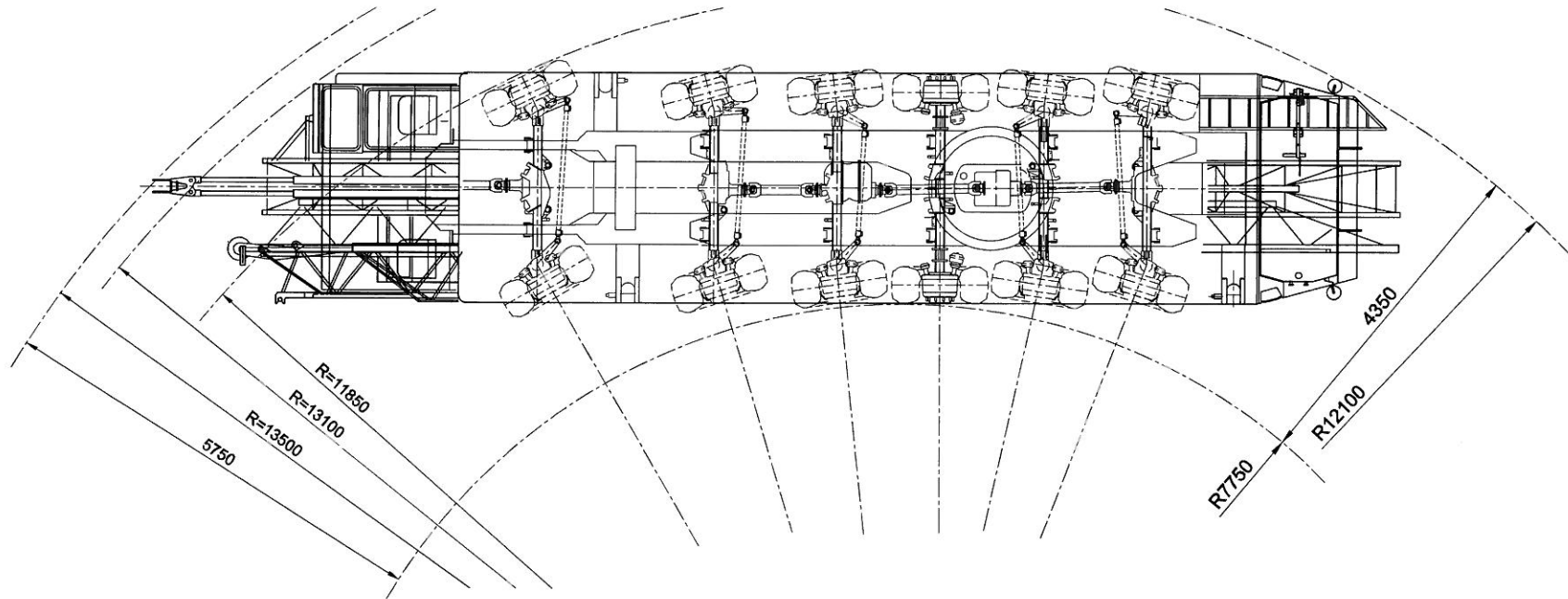
Outrigger support base : 7,95 m x 7,66 m



Lifting chart

Outrigger support base : 7,95 m x 5,72 m





SPIERINGS HYDRAULIC FOLDING CRANE

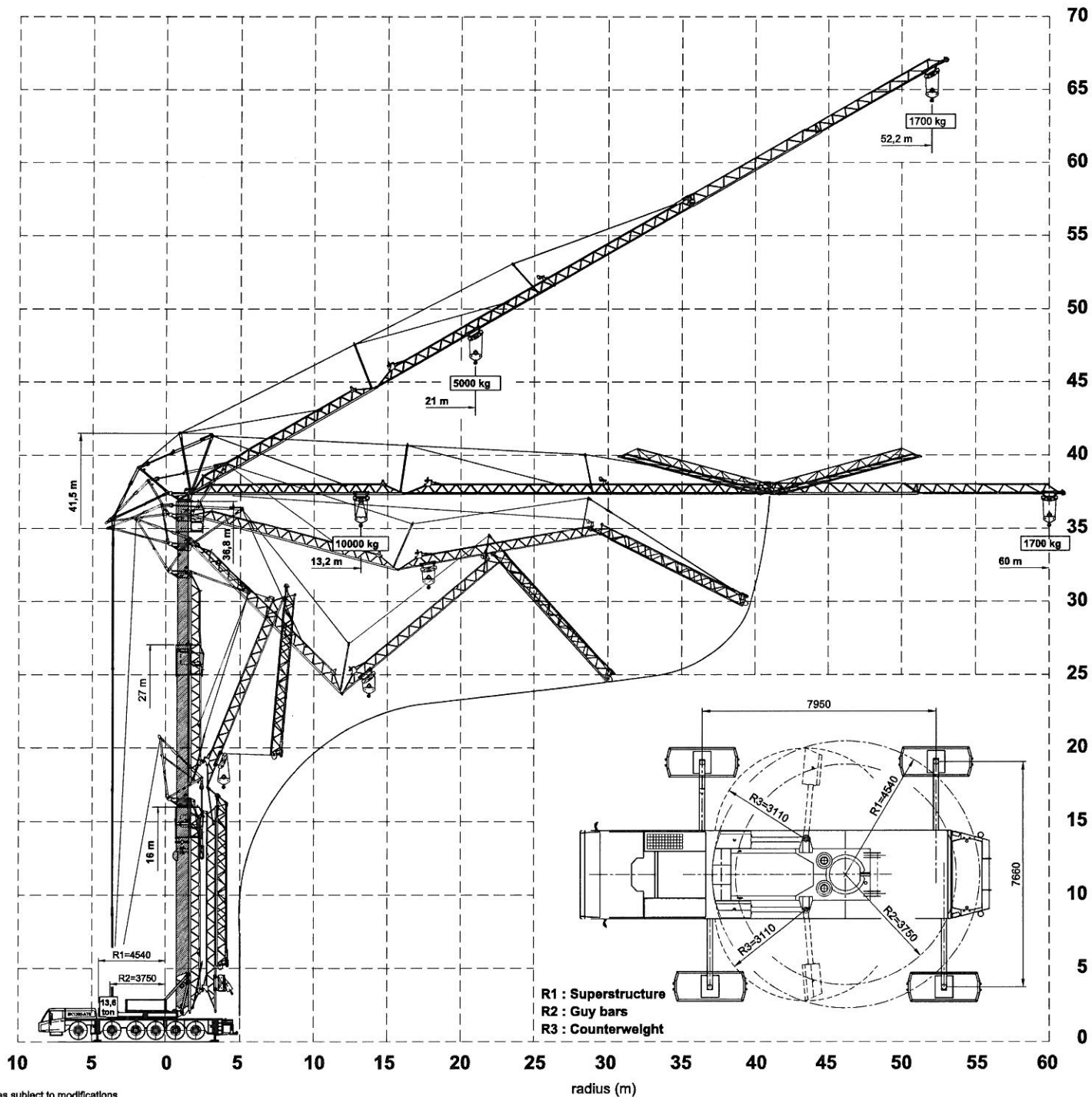
SK 1265 - AT6

SPIERINGS
MOBILE CRANES

Merwedestraat 15
5347 KZ Oss NL
Tel. +31 (0)412-426964
Fax +31 (0)412-645299
www.spieringscranes.com

121-00126102

Total weight: 72000 kg
Changes subject to modifications



SPIERINGS

HYDRAULIC FOLDING CRANE

SK1265-AT6

1265xxx

Erection procedure of the crane

Jib radius 60 m

Max. outrigger force : 520 kN
 Outrigger support pads : 750x600 mm
 Ground pressure : 1,15N/mm²
 Jib can be unfolded through 360°
 Luffing the jib 30° can be controlled from the crane cab or remote control

Outrigger support plates : 2500x1000 mm
 surface : 2,35 m²
 Ground pressure : 0,22 N/mm²

R1 : Superstructure
 R2 : Guy bars
 R3 : Counterweight

SPIERINGS
 MOBILE CRANES

Merwedestraat 15
 5347 KZ Oss NL
 Tel. +31 (0)412-626964
 Fax +31 (0)412-645299
 www.spieringscranes.com

121-00126103

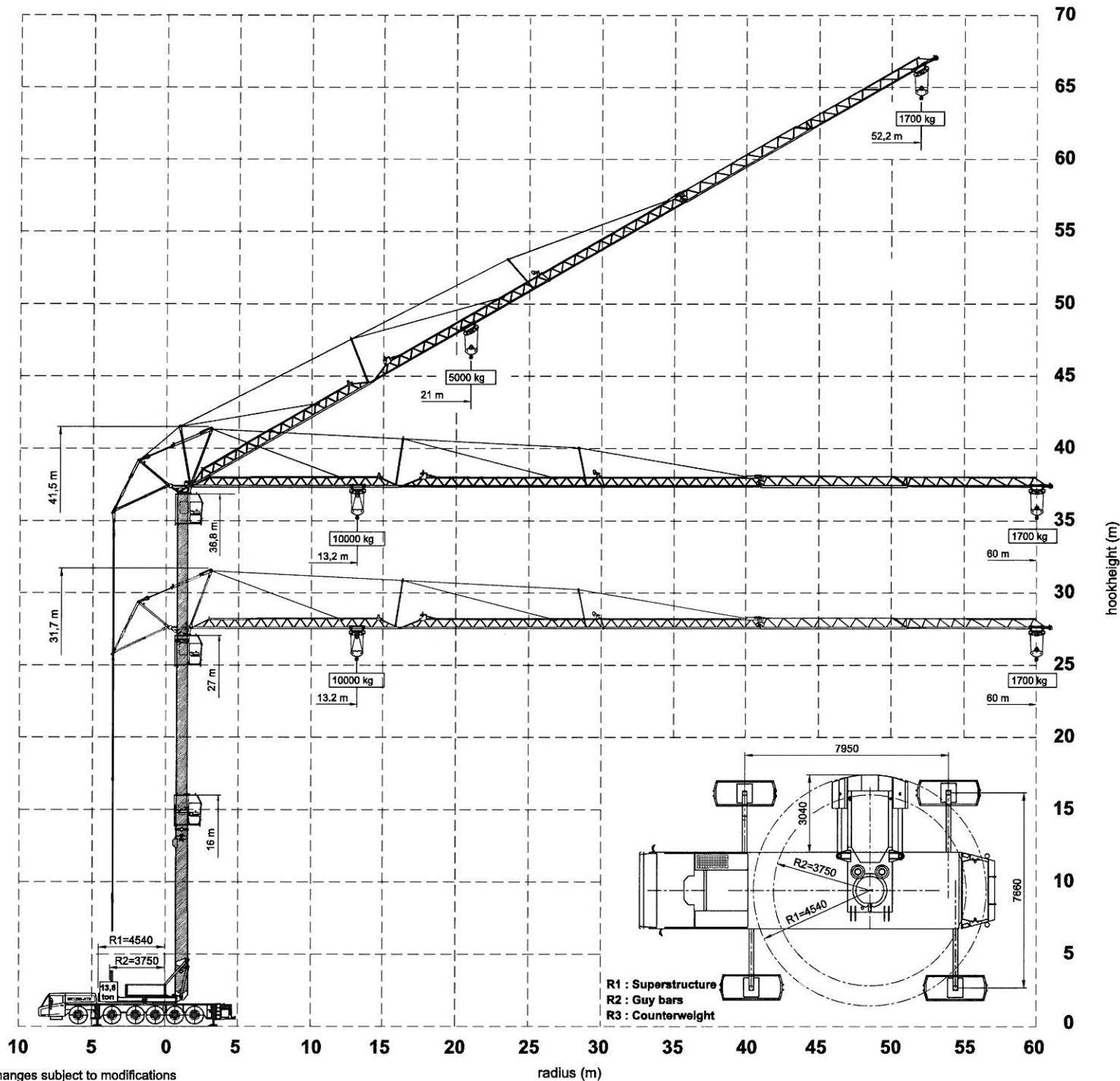
SPIERINGS
HYDRAULIC FOLDING CRANE
SK1265-AT6
 1265xxx

Hoisting Specifications

Jib radius 60 m

Outrigger support base

7,95 m x 7,66 m



Changes subject to modifications

SPIERINGS
MOBILE CRANES

Merwedestraat 15
 5347 KZ Oss NL
 Tel. +31 (0)412-626964
 Fax +31 (0)412-645299
 www.spleringcranes.com

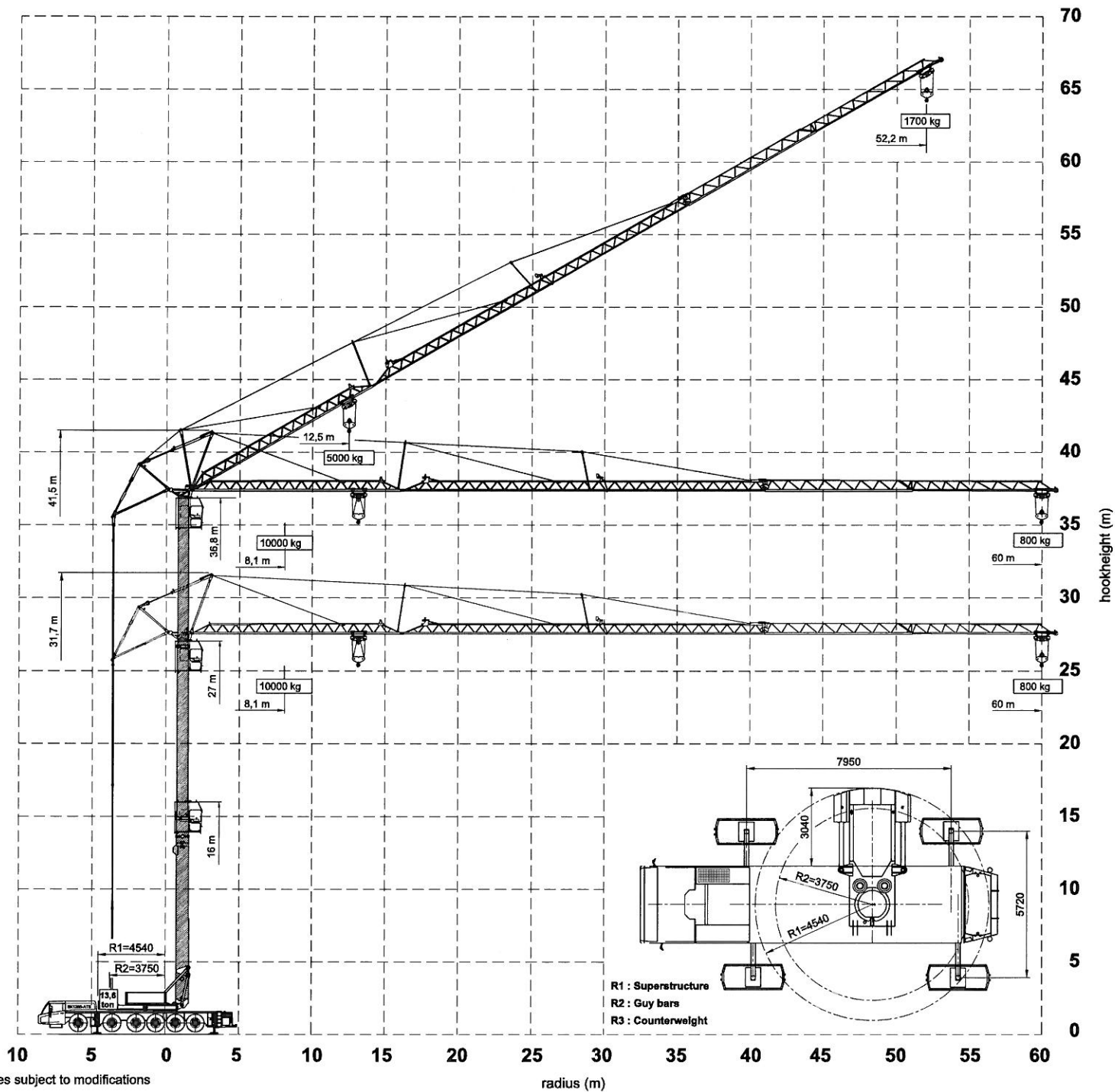
121-00126104

SPIERINGS
HYDRAULIC FOLDING CRANE
SK1265-AT6

1265xxx

Hoisting Specifications
 Jib radius 60 m

Outrigger support base
 7,95 m x 5,72 m



R1 : Superstructure
 R2 : Guy bars
 R3 : Counterweight

SPIERINGS
MOBILE CRANES

Merwedestraat 15
 5347 KZ Oss NL
 Tel. +31 (0)412-626964
 Fax +31 (0)412-645299
www.spieringscranes.com

121-00126105



**SPIERINGS
CRANES**

Make: SPIERINGS Type: SK1265-AT6

Crane specification (Jib length 52 m)

Serial number **1265xxx**
Year of construction **20xx**

Crane group : A3 as per FEM 1.001	Max. load	Max. radius with max. load	Max. capacity	Max. jib length
Loadspectrum : Q1 as per FEM 1.001	10,0 tonne	13,57 m	135 tm	52 m
Classification : U4 as per FEM 1.001				
Stability : as per FEM 1.001				

Speeds Jib horizontal / jib 30° luffed

	m/min	kg		0 - 70 m/min
	15	10000		
	30	5000		0-0,7 r/min
	45	2500		
75	0			

All motions with hydraulic proportional controls.
Luffing the jib 30° can be controlled from crane cab or by remote control.
Crane can be driven in its erected position under special conditions (refer user guide).

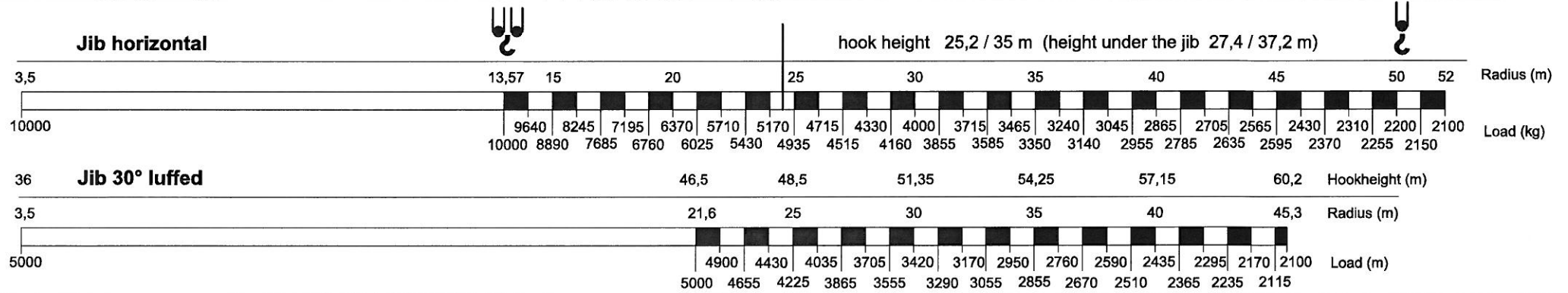
Continuous slewing of the crane (360°) with the outriggers out and support pads down.
The crane should be folded in at wind force 9 (Bf) (21 m/sec) or when not in use for a longer period.
Operating temperature range from -15°C till +40°C

Counterweight Crane : 13600 kg.
Rated lifting capacity is net capacity.
Max. line pull force : 2500 kg.
2 parts of line : 5000 kg - 1700 kg
4 parts of line : 10000 kg - 5000 kg
Sail area of the load max.: 1,0 m²/ton.

Outriggers positioned according to lifting chart
Outrigger support base : 7,95 x 7,66 m.
Operation allowed up to wind force 7 (14 m/s).
Outrigger support base : 7,95 x 5,72 m.
Operation allowed up to wind force 7 (14 m/s).
Max. outrigger force: 520 kN.

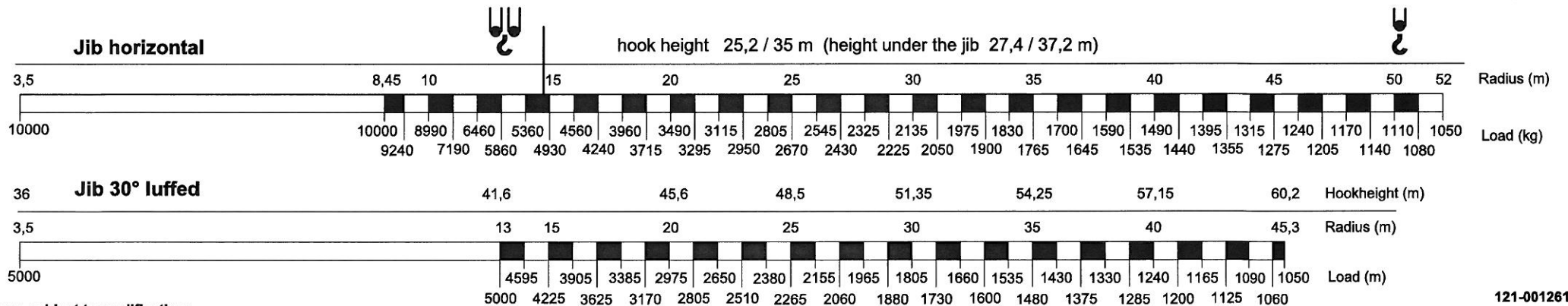
Lifting chart

Outrigger support base : 7,95 m x 7,66 m



Lifting chart

Outrigger support base : 7,95 m x 5,72 m

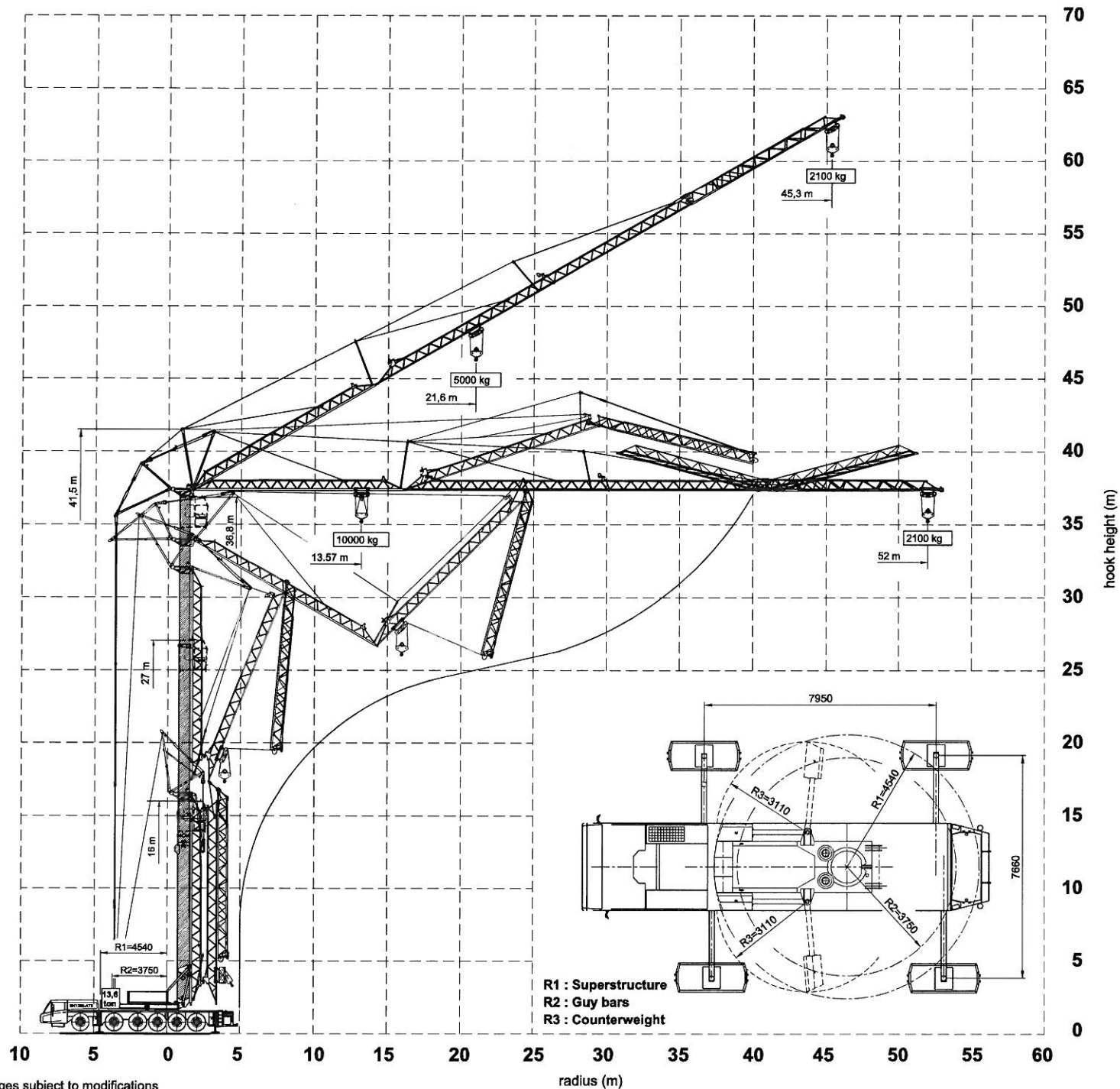


SPIERINGS HYDRAULIC FOLDING CRANE SK1265-AT6

1265xxx

Erection procedure of the crane Jib radius 52 m

- Max. outrigger force : 520 kN
- Outrigger support pads : 750x600 mm
- Ground pressure : 1,15N/mm²
- Jib can be unfolded through 360°
- Luffing the jib 30° can be controlled from the crane cab or remote control
- Outrigger support plates : 2500x1000 mm
- surface : 2,35 m²
- Ground pressure : 0,22 N/mm²



Changes subject to modifications

SPIERINGS
MOBILE CRANES
Merwedestraat 15
5347 KZ Oss NL
Tel. +31 (0)412-628964
Fax +31 (0)412-645299
www.spieringscranes.com

121-00126153

SPIERINGS
HYDRAULIC FOLDING CRANE
SK1265-AT6

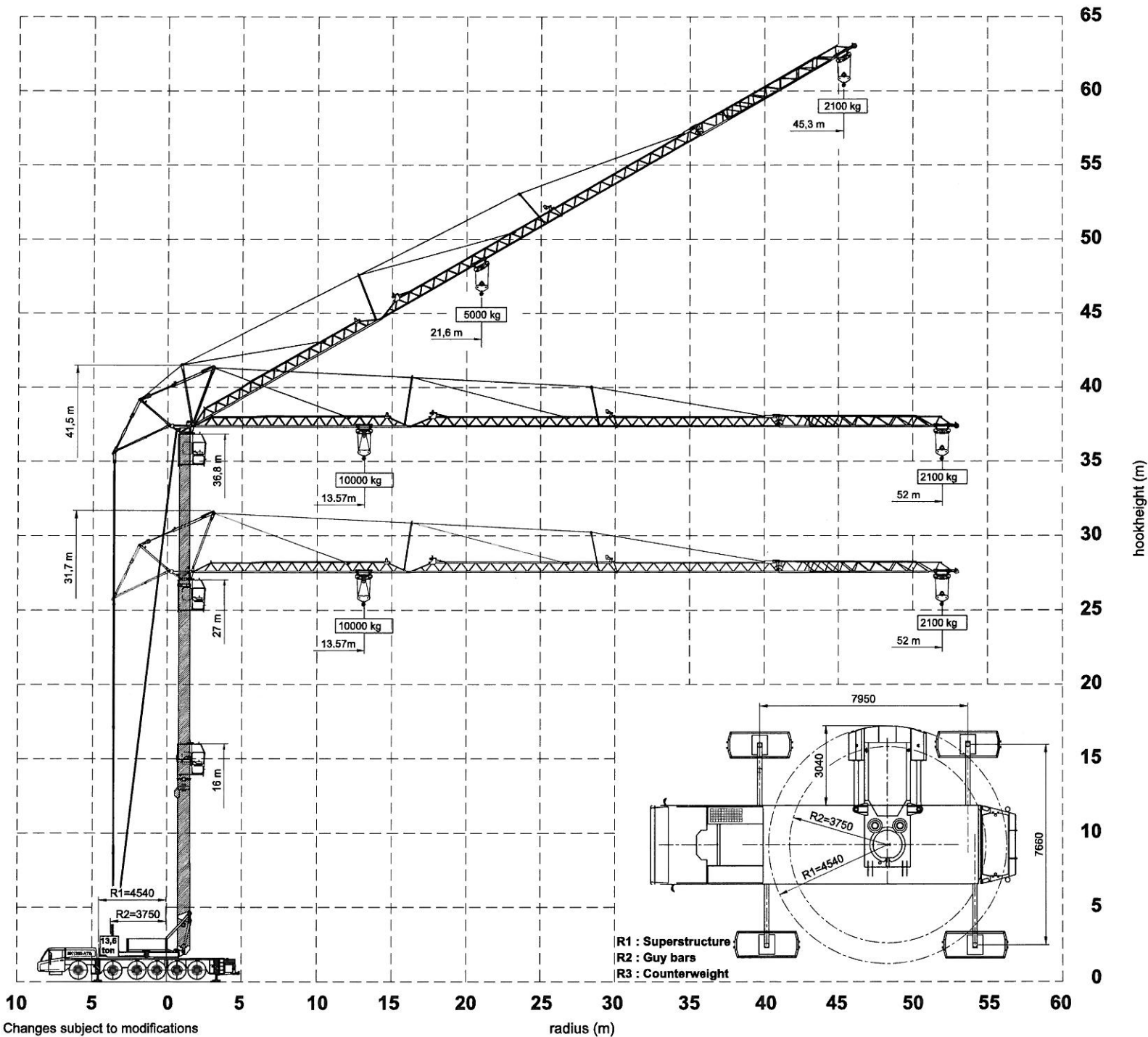
1265xxx

Hoisting Specifications

Jib radius 52 m

Outrigger support base

7,95 m x 7,66 m



Changes subject to modifications



Merwedestraat 15
 5347 KZ Oss NL
 Tel. +31 (0)412-626964
 Fax +31 (0)412-645299
 www.spieringscranes.com

121-00126154

SPIERINGS
HYDRAULIC FOLDING CRANE
SK1265-AT6

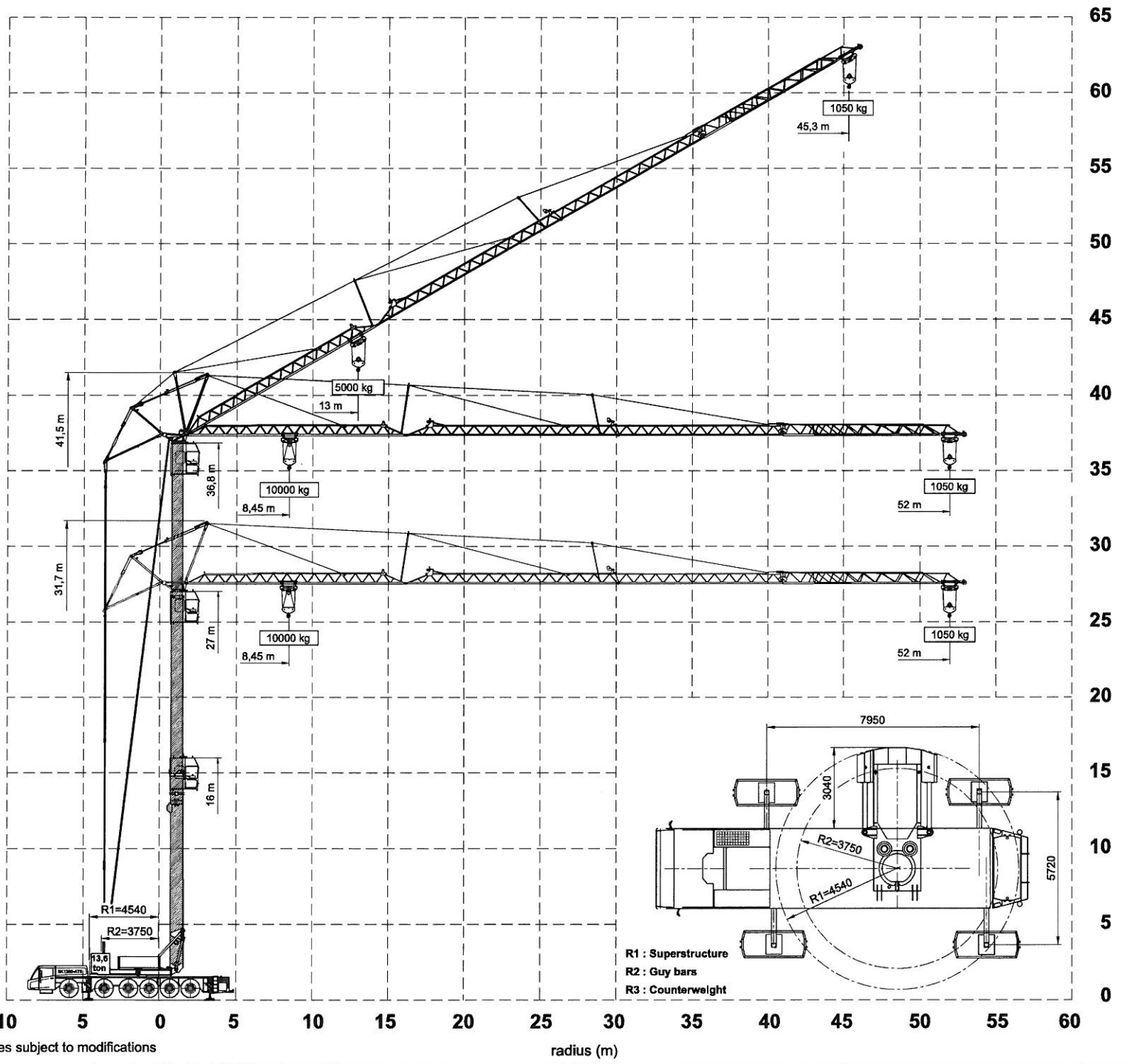
1265xxx

Hoisting Specifications

Jib radius 52 m

Outrigger support base

7,95 m x 5,72 m



hookheight (m)

R1 : Superstructure
 R2 : Guy bars
 R3 : Counterweight

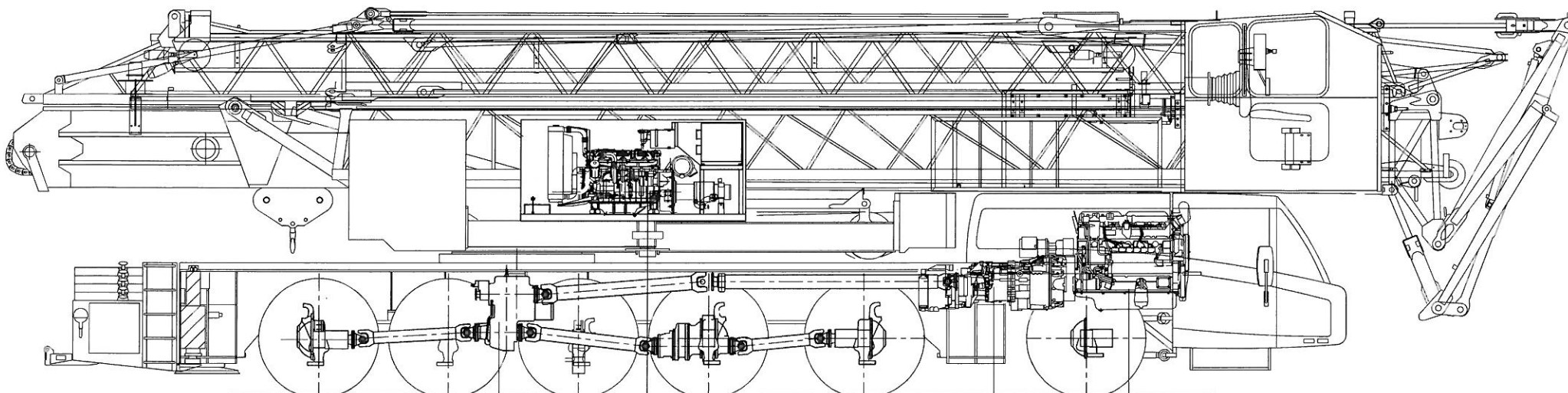
SPIERINGS
MOBILE CRANES

Merwedestraat 15
 5347 KZ Oss NL
 Tel. +31 (0)412-626964
 Fax +31 (0)412-645299
 www.spleringscranes.com

121-00126155

Changes subject to modifications

radius (m)



Axle 6

Axle 5

Axle 4

Axle 3

Axle 2

Axle 1

Transfer box:

STEYR VG2001/396

Road gear $i=0,89$

Off road gear $i=1,54$

Crane diesel engine:

John Deere 4045HF475

Power: 129 kW (2200 tpm)

Torque: 700 Nm (1400 tpm)

Gearbox:

ZF 16AS2601

Automatic

Dry plate clutch

+ intarder

Carrier diesel engine:

Euro IV

DAF: MX 375 (12,9 ltr)

Power: 375 kW (1900 tpm)

Torque: 2500 Nm (1000-1410 tpm)

Axle 1 : Steer axle

Axle 2 : Steer drive axle (end reduction $i=7,29$)

Axle 3 : Steer drive axle (end reduction $i=7,29$)

Axle 4 : Axle , non steered and non powered

Axle 5 : Steer axle

Axle 6 : Steer drive axle (end reduction $i=7,29$)

Tyres

: 445/75 R22,5

Suspension: hydro-pneumatic on all axles; stroke cyl.

: 247 mm

Max. speed carrier

: 85 km/h

Min. speed carrier (engine at 1000 rpm)

: 1,6 km/h

Overall weight

: 72.000 kg.

Drive train Spierings Folding Crane SK 1265-AT6

SPIERINGS
MOBILE CRANES

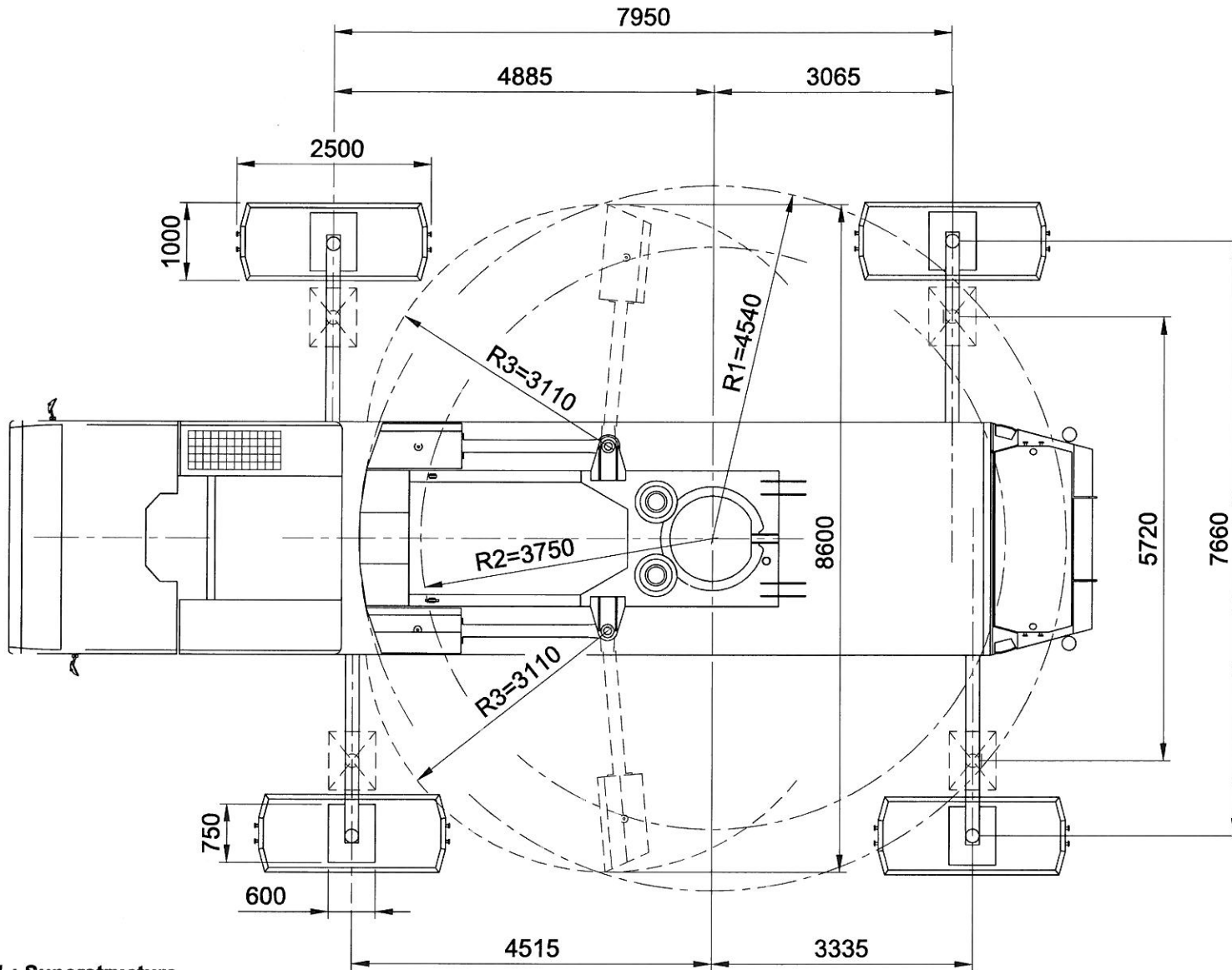
Merwedestraat 15
5347 KZ Oss NL
Tel. +31 (0)412-626964
Fax +31 (0)412-645299
www.spieringscranes.com

121-00126106

SPIERINGS
HYDRAULIC FOLDING CRANE

SK 1265 - AT6

1265xxx



Outrigger support base	
Max. outrigger force	520 kN
Outrigger support pads	750x600 mm
Ground pressure	1,15 N/mm ²
Outrigger support plates	2500x1000 mm
Surface	2,35 m ²
Ground pressure	0,22 N/mm ²

R1 : Superstructure
 R2 : Guy bars
 R3 : Counterweight

SPIERINGS
MOBILE CRANES

Merwedestraat 15
 5347 KZ Oss NL
 Tel. +31 (0)412-626964
 Fax +31 (0)412-645299
www.spieringscranes.com

121-00126107